

Axial-Whisper-ball thrust bearing PFAD



Description of shape

The Whisper-Thin ring bearing consists of a thin ring bearing type series PBAD, which is covered on the top and under ring with an elastomer sheath with a hardness of 70 Shore.

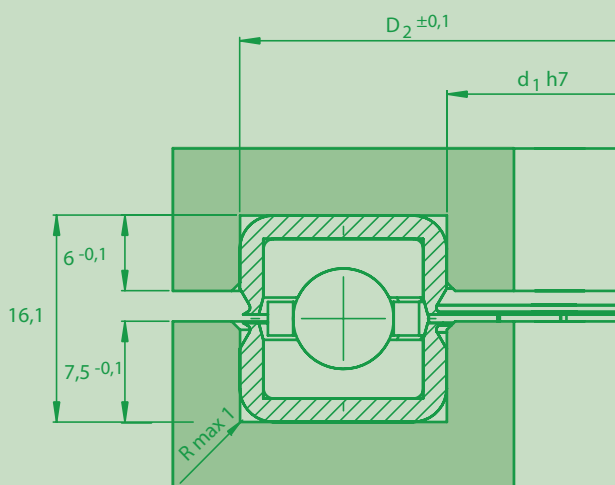
Operating conditions

The temperature limits of the standard bearing in continuous operation are -40°C and $+80^{\circ}\text{C}$. This whisper thin ring bearing has additionally to the PBAD more outstanding features.

Features

- Low operating noise
- Low impact sound
- Insusceptible to shock
- Large installation tolerances on the connecting parts
- The raceway system is protected from rough contamination due to reduction of the bearing gap

Fitted dimensions



Bearing dimensions

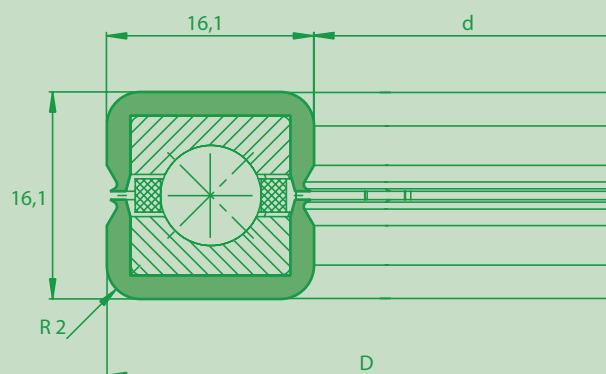


Table of dimensions (Type series PFAD)

| KMF-type ¹⁾ | Bearing-dimension | | Fitted dimensions | | Basic load ratings | | Mass | Limiting speeds |
|------------------------|-------------------|-------|-------------------|----------------|--------------------|-----------------|-------------------|-----------------|
| | | | | | Axial | | | |
| | d | D | d ₁ | D ₂ | Dyn. | Stat. | | |
| | mm | mm | mm | mm | C _a | C _{oa} | | |
| | | | | kN | kN | kg | min ⁻¹ | |
| PFAD 070 | 174,4 | 206,6 | 174,4 | 207,0 | 33,0 | 187,2 | 0,623 | 860 |
| PFAD 075 | 187,1 | 219,3 | 187,1 | 219,7 | 34,1 | 201,6 | 0,668 | 800 |
| PFAD 080 | 199,8 | 232,0 | 199,8 | 232,4 | 34,8 | 214,2 | 0,714 | 750 |
| PFAD 085 | 212,5 | 244,7 | 212,5 | 245,1 | 35,4 | 226,8 | 0,759 | 710 |
| PFAD 090 | 225,2 | 257,4 | 225,2 | 257,8 | 36,5 | 243,0 | 0,804 | 670 |
| PFAD 095 | 237,9 | 270,1 | 237,9 | 270,5 | 37,3 | 253,8 | 0,850 | 630 |
| PFAD 100 | 250,6 | 282,8 | 250,6 | 283,2 | 37,3 | 266,4 | 0,895 | 600 |
| PFAD 105 | 263,3 | 295,5 | 263,3 | 295,9 | 38,8 | 282,6 | 0,940 | 570 |
| PFAD 110 | 276,0 | 308,2 | 276,0 | 308,6 | 38,8 | 293,4 | 0,985 | 550 |
| PFAD 115 | 288,7 | 320,9 | 288,7 | 321,3 | 39,5 | 306,0 | 1,030 | 520 |
| PFAD 120 | 301,4 | 333,6 | 301,4 | 334,0 | 40,2 | 322,2 | 1,075 | 500 |



| KMF-type ¹⁾ | Bearing-dimension | | Fitted dimensions | | Basic load ratings | | Mass | Limiting speeds |
|------------------------|-------------------|---------|-------------------|----------------|--------------------|-----------------|-------|-----------------------|
| | | | | | Axial | | | |
| | d | D | d ₁ | D ₂ | Dyn. | Stat. | | n _{G grease} |
| | mm | mm | mm | mm | C _a | C _{oa} | | |
| PFAD 130 | 326,80 | 359,00 | 326,80 | 359,40 | 41,7 | 345,6 | 1,164 | 460 |
| PFAD 140 | 352,20 | 384,40 | 352,20 | 384,80 | 42,4 | 374,4 | 1,253 | 430 |
| PFAD 150 | 377,60 | 409,80 | 377,60 | 410,20 | 43,9 | 401,4 | 1,343 | 400 |
| PFAD 160 | 403,00 | 435,20 | 403,00 | 435,60 | 44,6 | 426,6 | 1,433 | 380 |
| PFAD 170 | 428,40 | 460,60 | 428,40 | 461,00 | 46,1 | 450,0 | 1,522 | 350 |
| PFAD 180 | 453,80 | 486,00 | 453,80 | 486,40 | 46,8 | 486,0 | 1,612 | 330 |
| PFAD 190 | 479,20 | 511,40 | 479,20 | 511,80 | 47,5 | 504,0 | 1,702 | 320 |
| PFAD 200 | 504,60 | 536,80 | 504,60 | 537,20 | 48,2 | 531,0 | 1,791 | 300 |
| PFAD 210 | 530,00 | 562,20 | 530,00 | 562,60 | 49,0 | 558,0 | 1,881 | 290 |
| PFAD 220 | 555,40 | 587,60 | 555,40 | 588,00 | 50,5 | 585,0 | 1,970 | 270 |
| PFAD 230 | 580,80 | 613,00 | 580,80 | 613,40 | 50,5 | 612,0 | 2,060 | 260 |
| PFAD 240 | 606,20 | 638,40 | 606,20 | 638,80 | 51,9 | 639,0 | 2,150 | 250 |
| PFAD 250 | 631,60 | 663,80 | 631,60 | 664,20 | 52,7 | 666,0 | 2,239 | 240 |
| PFAD 260 | 657,00 | 689,20 | 657,00 | 689,60 | 53,4 | 693,0 | 2,329 | 230 |
| PFAD 270 | 682,40 | 714,60 | 682,40 | 715,00 | 54,1 | 720,0 | 2,418 | 220 |
| PFAD 280 | 707,80 | 740,00 | 707,80 | 740,40 | 54,8 | 747,0 | 2,508 | 210 |
| PFAD 290 | 733,20 | 765,40 | 733,20 | 765,80 | 55,6 | 774,0 | 2,597 | 210 |
| PFAD 300 | 758,60 | 790,80 | 758,60 | 791,20 | 56,3 | 801,0 | 2,687 | 200 |
| PFAD 310 | 784,00 | 816,20 | 784,00 | 817,60 | 57,1 | 828,0 | 2,776 | 190 |
| PFAD 320 | 809,40 | 841,60 | 809,40 | 842,00 | 57,8 | 855,0 | 2,866 | 190 |
| PFAD 330 | 834,80 | 867,00 | 834,80 | 867,40 | 57,8 | 873,0 | 2,956 | 180 |
| PFAD 340 | 860,20 | 892,40 | 860,20 | 892,80 | 58,5 | 900,0 | 3,045 | 180 |
| PFAD 400 | 1012,60 | 1044,80 | 1012,60 | 1045,20 | 63,5 | 1060,0 | 3,596 | 155 |
| PFAD 405 | 1025,30 | 1057,50 | 1025,30 | 1057,90 | 63,9 | 1070,0 | 3,641 | 150 |
| PFAD 417 | 1057,05 | 1089,25 | 1057,05 | 1089,65 | 64,8 | 1100,0 | 3,754 | 145 |
| PFAD 420 | 1063,40 | 1095,60 | 1063,40 | 1096,00 | 65,0 | 1110,0 | 3,776 | 140 |

1) Other dimensions on request